

It is the responsibility of the person installing the electrical equipment to ensure that the installation meets the requirements of the IET wiring regulations and is therefore 'fit for purpose'. Factors such as correct selection of components, cable sizing, protective devices and Earth bonding are all critical and should be checked prior to full testing and power-up. Any other regulations applicable to the equipment being installed such as the Machinery Directive and current health and safety legislation must also be adhered to.

All connections (including factory made) must be checked for the correct tightness prior to commissioning of the electrical installation. All connections should be inspected periodically to ensure correct tightness.

DO NOT USE POWER TOOLS ON THESE PRODUCTS

Europa Helpline: email: technical@europacomponents.com / tel: 01582 692 444

Europa House, Airport Way, Luton, Beds, LU2 9NH Tel: 01582 692 440

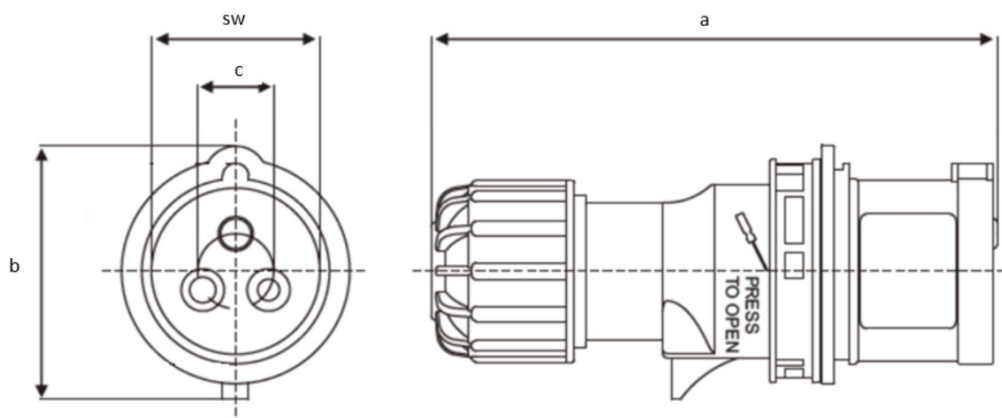
e-mail: sales@europacomponents.com website: www.europacomponents.com



IP 44 Industrial Plug

Description

- **Conforms to European/ International Standards EN/IEC 60309-2.**
- **IP44 rated in-line industrial plug.**
- **Operating temperature: -25 °C to +40 °C.**



Part Number	Amps	Colour & Voltage	Poles	Protection Degree	a (mm)	b (mm)	c (mm)	sw (mm)	Terminal Capacity	Recommended Terminal Torque
IP633P	63A	Blue 230V	2P + E	IP44	215.5	96.7	36.5	71.33	10 - 16 mm ²	2.0 Nm
IP634N		Red 415V	3P + E							
IP635N		Red 415V	3P + N + E							